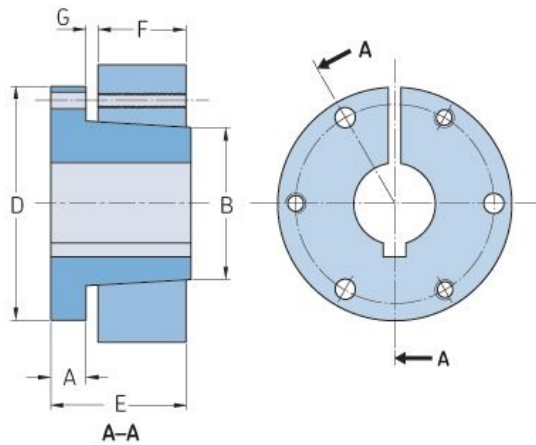


PHF SH-7/8



Bushing no.	SH
Bore diameter (mm)	22
Bore diameter (in)	0.875
A (mm)	-
A (in)	-
B (mm)	-
B (in)	-
D (mm)	-
D (in)	-
E (mm)	-
E (in)	-
F (mm)	-
F (in)	-
G (mm)	-
G (in)	-
Bolt size	6.35
Weight (kg)	0.44
Weight (lbs)	0.97