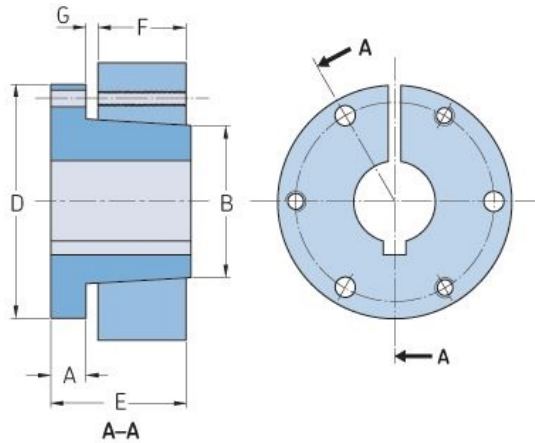


PHF SDS-42MM



Bushing no.	SDS
Bore diameter (mm)	42
Bore diameter (in)	1.65
A (mm)	10.92
A (in)	0.43
B (mm)	55.37
B (in)	2.18
D (mm)	80.77
D (in)	3.18
E (mm)	33.27
E (in)	1.31
F (mm)	19.05
F (in)	0.75
G (mm)	3.05
G (in)	0.12
Weight (kg)	0.5
Weight (lbs)	1.1