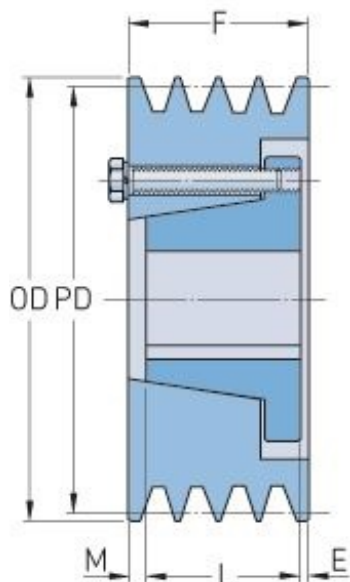


PHP 8-5V975-F



Pitch diameter (mm)	245.11
Pitch diameter (in)	9.65
Outside diameter (mm)	247.65
Outside diameter (in)	9.75
Pulley type	A-1
Bushing no.	F
Min. bore (mm)	25.4
Min. bore (in)	1
Max. bore (mm)	101.6
Max. bore (in)	4
F (in)	5 (13/16)
E (in)	1 (7/32)
L (in)	3 (3/4)
M (in)	(27/32)
Weight (lbs)	106.7