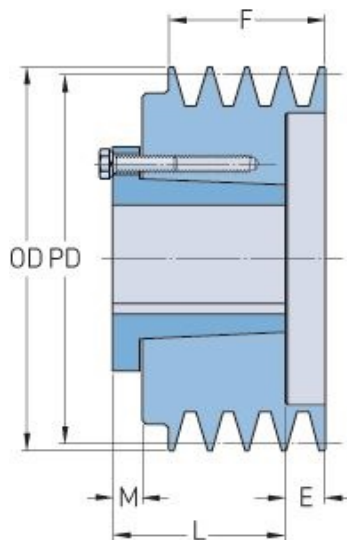


PHP 3-3V250-JA



Pitch diameter (mm)	62.23
Pitch diameter (in)	2.45
Outside diameter (mm)	63.5
Outside diameter (in)	2.5
Pulley type	E-1
Bushing no.	JA
Min. bore (mm)	12.7
Min. bore (in)	0.5
Max. bore (mm)	31.75
Max. bore (in)	1.25
F (in)	1 (1/2)
E (in)	1 (13/32)
L (in)	1
M (in)	(29/32)
Weight (lbs)	1.8