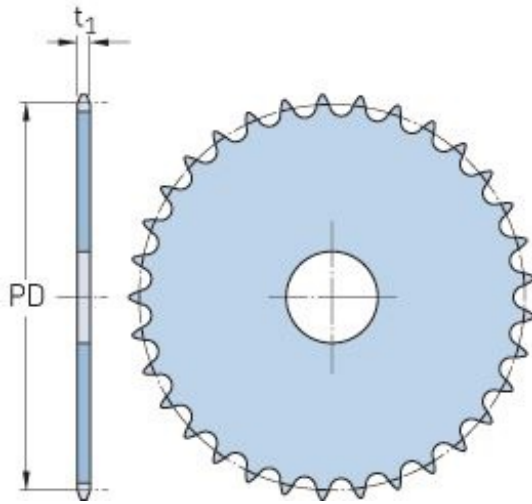


# PHS 28B-1AH15



Pitch P (mm)	44.45
Pitch P (in)	1.75
No. of teeth	15
Pitch diameter (mm)	213.79
Pitch diameter (in)	8.42
Min. bore (mm)	-
Min. bore (in)	-
Max. bore (mm)	-
Max. bore (in)	-
Hub H (mm)	-
Hub H (in)	-
Hub L (mm)	-
Hub L (in)	-
Weight (kg)	5.45
Weight (lbs)	12.02